

Diaphragm Seals

Type SCE Series Diaphragm Seal Elements for Tank Applications

DESCRIPTION

Mansfield & Green Type SCE Series flange-attached diaphragm seals may be used in any application where piping and/or insulation requires the diaphragm to extend into the tank or flowstream of the process media. SCE seals are ideal for insulated tank applications.



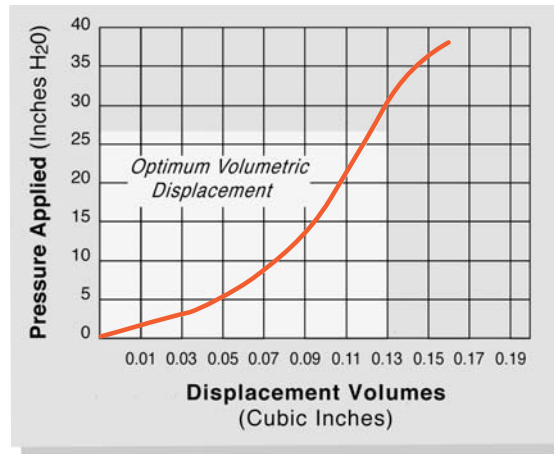
The SCE seals have slip-on flanges for ease of installation and alignment. The extension body is designed to fit into 3" or 4" Schedule 40 pipe. Extension lengths of 2", 3", 4", 6", and 8" are available. Other lengths and diameters are available on special request.

The SCE model diaphragms are TIG welded to the extension. The seal body and diaphragms are available in 316L low carbon stainless steel or HASTELLOY® C276. The slip on flange design simplifies installation and alignment of bolt holes. Standard flanges are zinc plated carbon steel. Other materials are available on special request.

SCE series seals are furnished with Class 150, 300, or 600 ANSI standard flanges. Operating pressure is limited to the ANSI flange pressure and temperature ratings.

FEATURES

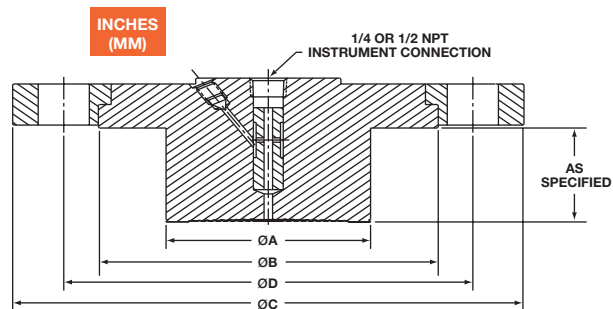
- Extended diaphragm seals are ideal for tank applications
- Continuous duty
- Slip on flange design simplifies installation
- Materials available for corrosive applications
- Furnished with ANSI Class 150, 300, or 600 flanges
- Standard volumetric displacement is .13 cubic inch



Pressure vs. Volumetric Displacement

Displacement curves are provided to assist in selecting a diaphragm seal with minimal full span displacement bias effects. This graph is for reference only and may not accurately represent the maximum displacement that may be used. Contact AMETEK for exact specifications.

SIZE (INCHES)	CLASS	A	B	C	D	BOLT HOLE SIZE (IN.)
3	150	3.0 (76.2)	5.0 (127.0)	7.5 (190.5)	6.0 (152.4)	0.75
3	300	3.0 (76.2)	5.0 (127.0)	8.25 (209.6)	6.625 (168.3)	0.875
3	600	3.0 (76.2)	5.0 (127.0)	8.25 (209.6)	6.625 (168.3)	0.875
4	150	-	6.1875 (157.2)	9.0 (228.6)	7.5 (190.5)	0.75
4	300	-	6.1875 (157.2)	10.0 (254.0)	7.875 (200.0)	0.875
4	600	-	6.1875 (157.2)	10.75 (273.1)	8.5 (215.9)	1.0



© 2002, by AMETEK, Inc. All rights reserved. 15M1102A (160126) Specifications are subject to change without notice. Visit our Web sites for the most up-to-date information.



For Gauges/Thermometers:
U.S. GAUGE
 820 Pennsylvania Blvd.
 Feasterville, PA 19053 U.S.A.
 Tel: (215) 355-6900
 Fax: (215) 354-1802
 www.ametekusg.com
 Customer Service Tel: (863) 534-1504
 Customer Service Fax: (863) 533-7465

For Electronic Products:
PMT PRODUCTS
 820 Pennsylvania Blvd.
 Feasterville, PA 19053 U.S.A.
 Tel: (215) 355-6900
 Fax: (215) 354-1800
 www.ametekusg.com

For Diaphragm Seals:
M&G PRODUCTS
 8600 Somerset Drive
 Largo, FL 33773 U.S.A.
 Tel: (727) 536-7831
 Fax: (727) 539-6882
 www.ametek.com/tci