

Special Application Gauges

Series P-600

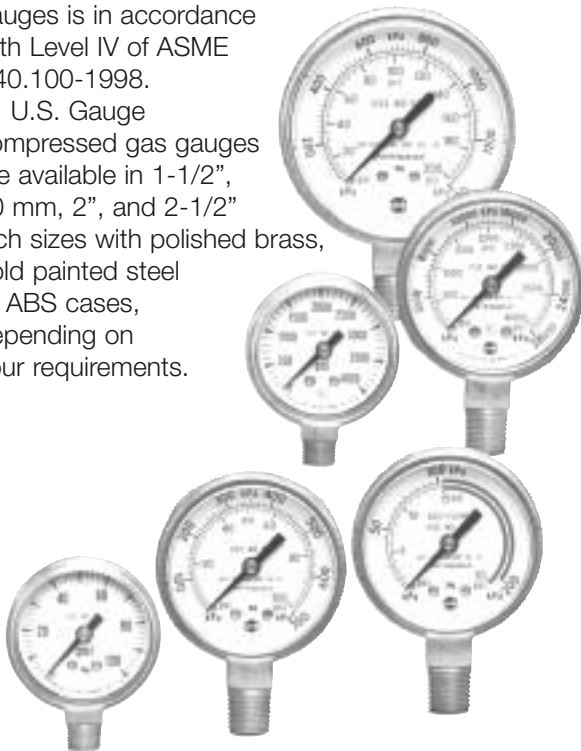
Welding and Compressed Gas Gauges

DESCRIPTION

AMETEK U.S. Gauge offers a wide variety of welding and compressed gas gauges used on various types of regulators. The high pressure gauges are used for measuring cylinder or tank pressure. The low pressure gauges are used on the downstream side of the regulator to indicate regulated, reduced pressure.

The low pressure gauges (30 psi to 1499) are UL 252A recognized, Class V (3000 psi test pressure) and above. High pressure gauges are UL 404 listed. Cleanliness for all gauges is in accordance with Level IV of ASME B40.100-1998.

U.S. Gauge compressed gas gauges are available in 1-1/2", 50 mm, 2", and 2-1/2" inch sizes with polished brass, gold painted steel or ABS cases, depending on your requirements.



SPECIFICATIONS

SIZE: 1-1/2", 50 mm, 2", and 2-1/2"

CASE: Polished brass, brass painted steel, or brass plated ABS

- MODEL (1-1/2", 2", and 2-1/2")
- P-601 – Brass case, high pressure
 - P-612 – Brass case, low pressure
 - P-607 – Steel case, high pressure
 - P-618 – Steel case, low pressure
 - P-605 – ABS case, high pressure
 - P-616 – ABS case, low pressure (50 mm)
 - P-697 – Steel case, high pressure
 - P-698 – Steel case, low pressure

RANGES:

High Pressure (Models P-601, P-607, P-605, or P-697)
1500 psi, 2000 psi, 3000 psi, and 4000 psi

Low Pressure (Models P-612, P-618, P-616, or P-698)
15 psi, 30 psi, 60 psi, 100 psi, 160 psi, 200 psi, 400 psi, 600 psi, and 1000 psi

UL High Pressure (Models P-601, P-607, P-605, or P-697)
UL 404 listed

Low Pressure (Models P-612, P-618, P-616, or P-698)
30 psi, 60 psi, and 100 psi UL 252A Class V recognized;
160 psi UL 252A Class VI recognized; 200 psi, 400 psi, 600 psi, and 1000 psi UL 252A Class VII recognized

ACCURACY: ±3-2-3% of span (Grade B)

CONNECTION: 1-1/2" brass

1/8-27 NPT LM; 2" and 2-1/2" brass 1/4-18 NPT LM
Center back mount also available, subject to minimum order quantity

BOURDON TUBE:

High Pressure (Models P-601, P-607, P-605, or P-697)
Phosphor bronze, silver soldered

Low Pressure (Models P-612, P-618, P-616, or P-698)
15 psi beryllium copper, 30 psi to 1499 psi phosphor bronze

POINTER: Aluminum, black finish

DIAL: Steel, white background with black markings
Major graduations and "USE NO OIL" in red
Custom dials and dual scales available with minimum order quantity and dial set-up charge

WINDOW: One-piece twist on polycarbonate

MOVEMENT: Brass

© 2002, by AMETEK, Inc. All rights reserved. 15M1102A (160126) Specifications are subject to change without notice. Visit our Web sites for the most up-to-date information.



For Gauges/Thermometers:
U.S. GAUGE
820 Pennsylvania Blvd.
Feasterville, PA 19053 U.S.A.
Tel: (215) 355-6900
Fax: (215) 354-1802
www.ametekusg.com

Customer Service Tel: (863) 534-1504
Customer Service Fax: (863) 533-7465

For Electronic Products:
PMT PRODUCTS
820 Pennsylvania Blvd.
Feasterville, PA 19053 U.S.A.
Tel: (215) 355-6900
Fax: (215) 354-1800
www.ametekusg.com

For Diaphragm Seals:
M&G PRODUCTS
8600 Somerset Drive
Largo, FL 33773 U.S.A.
Tel: (727) 536-7831
Fax: (727) 539-6882
www.ametek.com/tci

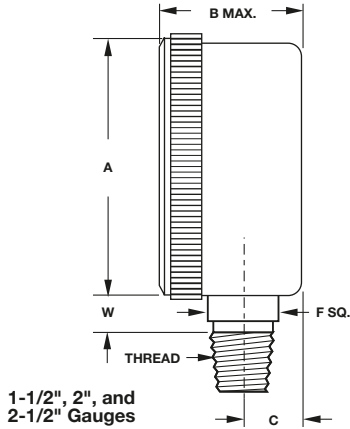




Special Application Gauges

Series P-600

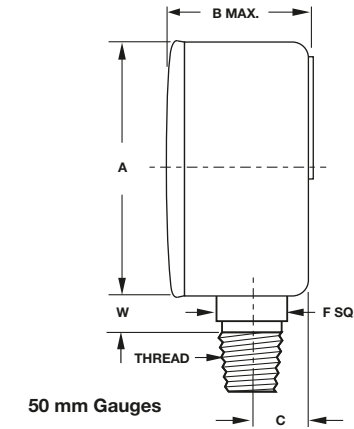
Welding and Compressed Gas Gauges



INCHES
(MM)

UL NOTE:
UL LOW PRESSURE:
1-1/2" 30-160 psi = CLASS V
200 psi = CLASS VI
300-400 psi = CLASS VII

2" AND 2-1/2" 15 psi = CLASS III
30-140 psi = CLASS V
150-160 psi = CLASS VI
200-1000 psi = CLASS VII



MODEL NO.	DIAL SIZE	CASE	PRESSURE	STYLE	UNIT	A	B MAX.	C	F	W
P-601	1-1/2"	Brass Polished	High Pressure	1	inches	1.78	0.95	0.34	0.43	0.17
	mm				45.2	24.1	8.6	10.9	4.3	
	inches				2.26	1.17	0.41	0.55	0.38	
P-601	2"	Brass Polished	High Pressure	1	mm	57.4	29.7	10.4	14.0	9.7
	inches				2.82	1.23	0.46	0.55	0.17	
	mm				71.6	32.0	11.2	14.0	4.3	
P-601	2-1/2"	Brass Polished	High Pressure	1	inches	2.82	1.23	0.46	0.55	0.17
	mm				71.6	32.0	11.2	14.0	4.3	
	inches				2.82	1.23	0.46	0.55	0.17	
P-601	mm	Brass Polished	High Pressure	1	mm	71.6	32.0	11.2	14.0	4.3
	inches				2.82	1.23	0.46	0.55	0.17	
	mm				71.6	32.0	11.2	14.0	4.3	
P-612	1-1/2"	Brass Polished	Low Pressure	1	inches	1.78	0.95	0.34	0.43	0.17
	mm				45.2	24.1	8.6	10.9	4.3	
	inches				2.26	1.17	0.41	0.55	0.38	
P-612	2"	Brass Polished	Low Pressure	1	mm	57.4	29.7	10.4	14.0	9.7
	inches				2.82	1.23	0.46	0.55	0.17	
	mm				71.6	32.0	11.2	14.0	4.3	
P-612	2-1/2"	Brass Polished	Low Pressure	1	inches	2.82	1.23	0.46	0.55	0.17
	mm				71.6	32.0	11.2	14.0	4.3	
	inches				2.82	1.23	0.46	0.55	0.17	
P-612	mm	Brass Polished	Low Pressure	1	mm	71.6	32.0	11.2	14.0	4.3
	inches				2.82	1.23	0.46	0.55	0.17	
	mm				71.6	32.0	11.2	14.0	4.3	
P-607	1-1/2"	Steel Painted	High Pressure	1	inches	1.78	0.95	0.34	0.43	0.17
	mm				45.2	24.1	8.6	10.9	4.3	
	inches				2.26	1.17	0.41	0.55	0.25	
P-607	2"	Steel Painted	High Pressure	1	mm	57.4	29.7	10.4	14.0	6.4
	inches				2.82	1.23	0.46	0.55	0.17	
	mm				71.6	32.0	11.2	14.0	4.3	
P-607	2-1/2"	Steel Painted	High Pressure	1	inches	2.82	1.23	0.46	0.55	0.17
	mm				71.6	32.0	11.2	14.0	4.3	
	inches				2.82	1.23	0.46	0.55	0.17	
P-607	mm	Steel Painted	High Pressure	1	mm	71.6	32.0	11.2	14.0	4.3
	inches				2.82	1.23	0.46	0.55	0.17	
	mm				71.6	32.0	11.2	14.0	4.3	
P-618	1-1/2"	Steel Painted	Low Pressure	1	inches	1.78	0.95	0.34	0.43	0.17
	mm				45.2	24.1	8.6	10.9	4.3	
	inches				2.26	1.17	0.41	0.55	0.25	
P-618	2"	Steel Painted	Low Pressure	1	mm	57.4	29.7	10.4	14.0	6.4
	inches				2.82	1.23	0.46	0.55	0.17	
	mm				71.6	32.0	11.2	14.0	4.3	
P-618	2-1/2"	Steel Painted	Low Pressure	1	inches	2.82	1.23	0.46	0.55	0.17
	mm				71.6	32.0	11.2	14.0	4.3	
	inches				2.82	1.23	0.46	0.55	0.17	
P-618	mm	Steel Painted	Low Pressure	1	mm	71.6	32.0	11.2	14.0	4.3
	inches				2.82	1.23	0.46	0.55	0.17	
	mm				71.6	32.0	11.2	14.0	4.3	
P-605	1-1/2"	ABS Plated	High Pressure	1	inches	1.78	0.96	0.36	0.43	0.17
	mm				45.2	24.1	8.6	10.9	4.3	
	inches				2.26	1.18	0.41	0.55	0.25	
P-605	2"	ABS Plated	High Pressure	1	mm	57.4	29.7	10.4	14.0	6.4
	inches				2.82	1.26	0.44	0.55	0.17	
	mm				71.6	32.0	11.2	14.0	4.3	
P-605	2-1/2"	ABS Plated	High Pressure	1	inches	2.82	1.26	0.44	0.55	0.17
	mm				71.6	32.0	11.2	14.0	4.3	
	inches				2.82	1.26	0.44	0.55	0.17	
P-605	mm	ABS Plated	High Pressure	1	mm	71.6	32.0	11.2	14.0	4.3
	inches				2.82	1.26	0.44	0.55	0.17	
	mm				71.6	32.0	11.2	14.0	4.3	
P-616	1-1/2"	ABS Plated	Low Pressure	1	inches	1.78	0.96	0.36	0.43	0.17
	mm				45.2	24.1	8.6	10.9	4.3	
	inches				2.26	1.18	0.41	0.55	0.25	
P-616	2"	ABS Plated	Low Pressure	1	mm	57.4	29.7	10.4	14.0	6.4
	inches				2.82	1.26	0.44	0.55	0.17	
	mm				71.6	32.0	11.2	14.0	4.3	
P-616	2-1/2"	ABS Plated	Low Pressure	1	inches	2.82	1.26	0.44	0.55	0.17
	mm				71.6	32.0	11.2	14.0	4.3	
	inches				2.82	1.26	0.44	0.55	0.17	
P-616	mm	ABS Plated	Low Pressure	1	mm	71.6	32.0	11.2	14.0	4.3
	inches				2.82	1.26	0.44	0.55	0.17	
	mm				71.6	32.0	11.2	14.0	4.3	
P-697	50 mm	Steel Painted	High Pressure	2	inches	1.92	1.16	0.40	0.55	0.25
					mm	48.8	29.5	10.2	14.0	6.4
P-698	50 mm	Steel Painted	Low Pressure	2	inches	1.92	1.16	0.40	0.55	0.25
					mm	48.8	29.5	10.2	14.0	6.4

© 2002, by AMETEK, Inc. All rights reserved. 15M1102A (160126) Specifications are subject to change without notice. Visit our Web sites for the most up-to-date information.



For Gauges/Thermometers:
U.S. GAUGE
820 Pennsylvania Blvd.
Feasterville, PA 19053 U.S.A.
Tel: (215) 355-6900
Fax: (215) 354-1802
www.ametekusg.com

Customer Service Tel: (863) 534-1504
Customer Service Fax: (863) 533-7465

For Electronic Products:
PMT PRODUCTS
820 Pennsylvania Blvd.
Feasterville, PA 19053 U.S.A.
Tel: (215) 355-6900
Fax: (215) 354-1800
www.ametekusg.com

For Diaphragm Seals:
M&G PRODUCTS
8600 Somerset Drive
Largo, FL 33773 U.S.A.
Tel: (727) 536-7831
Fax: (727) 539-6882
www.ametek.com/tci





Special Application Gauges

Series P-600

Welding and Compressed Gas Gauges

SPEC NUMBER SELECTION CHART

Model Number	Range**	1-1/2" Spec No.	2" Spec No.	2-1/2" Spec No.
P-612K	15 psi	-	-	50665A
	30 psi	166692A	165509A	165616A
	30 psi*	166691A	165507A	165614A
	60 psi	-	165567A	165660A
	100 psi	166359A	164257A	164285A
	200 psi	166361A	164259A	164287A
	400 psi	166364A	164261A	164289A
	500 psi	-	-	165064A
	600 psi	146474A	164262A	164290A
P-601K	3000 psi	146451A	144202A	144203A
	4000 psi	146454A	143403A	143404A

* Red Band

** Dual scale dials are available, please contact Customer Service at (863) 534-1504

P-612 – 30 psi, 60 psi, and 100 psi UL 252A Class V recognized; 200 psi, 400 psi, 500 psi, and 600 psi UL 252A Class VII recognized; P-601 – UL404 listed

Model Number	Range**	1-1/2" Spec No.	2" Spec No.	2-1/2" Spec No.
P-618K	30 psi	166693A	165521A	165621A
	30 psi*	166685A	165522A	165620A
	60 psi	-	165557A	165663A
	100 psi	-	164677A	164956A
	200 psi	166532A	164264A	164292A
	400 psi	166365A	164816A	165055A
P-607K	600 psi	-	164829A	165071A
	4000 psi	146532A	139660A	156187A

* Red Band

** Dual scale dials are available, please contact Customer Service at (863) 534-1504

P-618 – 30 psi, 60 psi, and 100 psi UL 252A Class V recognized; 200 psi, 400 psi, and 600 psi UL 252A Class VII recognized; P-607 – UL404 listed

© 2002, by AMETEK, Inc. All rights reserved. 15M1102A (160126) Specifications are subject to change without notice. Visit our Web sites for the most up-to-date information.



For Gauges/Thermometers:
U.S. GAUGE
 820 Pennsylvania Blvd.
 Feasterville, PA 19053 U.S.A.
 Tel: (215) 355-6900
 Fax: (215) 354-1802
 www.ametekusg.com

For Electronic Products:
PMT PRODUCTS
 820 Pennsylvania Blvd.
 Feasterville, PA 19053 U.S.A.
 Tel: (215) 355-6900
 Fax: (215) 354-1800
 www.ametekusg.com

For Diaphragm Seals:
M&G PRODUCTS
 8600 Somerset Drive
 Largo, FL 33773 U.S.A.
 Tel: (727) 536-7831
 Fax: (727) 539-6882
 www.ametek.com/tci



Customer Service Tel: (863) 534-1504
 Customer Service Fax: (863) 533-7465