

# General Purpose Gauges

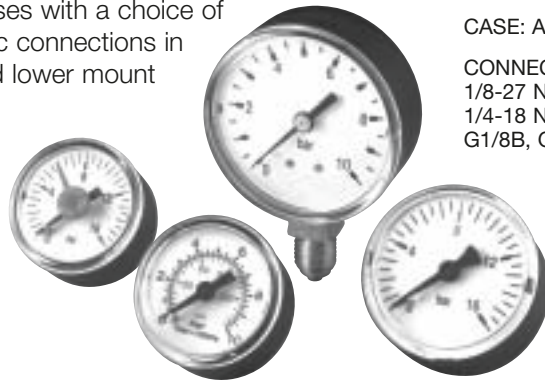
## Series P-915 Low Cost Metric Utility Gauges

### DESCRIPTION

U.S. Gauge P-915 utility gauges provide economical, reliable service in a wide variety of applications including pumps, compressors, and other equipment.

Series P-915 utility gauges come in English and metric ranges with accuracy of either  $\pm 3-2-3\%$  or  $\pm 1.6\%$  full scale.

Gauges are available in 40 mm, 50 mm, and 63 mm ABS cases with a choice of English or metric connections in center-back and lower mount configurations.



### SPECIFICATIONS

RANGES: 0-30, 60, 100, 160, 200, 300, 600, 1000, 2000, 3000, 4000 psi

ACCURACY:  $\pm 3-2-3\%$  (Grade B) or  $\pm 1.6\%$  of span

BOURDON TUBE: Phosphor bronze

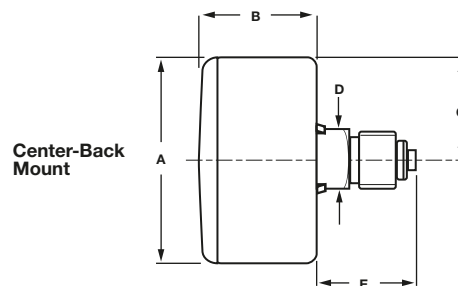
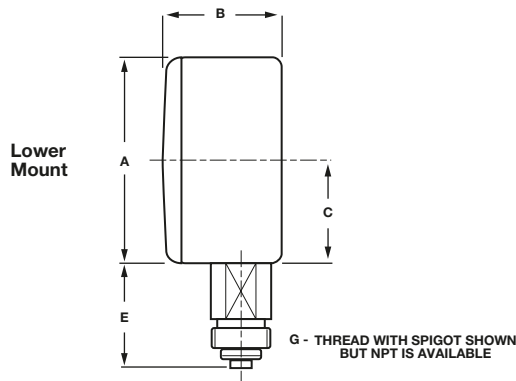
WINDOW: Polystyrene (polycarbonate optional)

DIAL: ABS

POINTER: ABS

CASE: ABS

CONNECTION: Brass, center-back or lower mount  
 1/8-27 NPT: for 40 mm and 50 mm  
 1/4-18 NPT: for 50 mm and 63 mm  
 G1/8B, G1/4B, R1/8, R1/4



INCHES  
(MM)

DIAL SIZE	MODEL	UNIT	ØA	B	C	D	E
40 mm	LM	inches	1.63	.92	.36	-	.80
		mm	41.1	23.4	20.6	-	15.7
40 mm	CBM	inches	1.63	1.06	.79	.55	.80
		mm	41.5	27.0	20.1	14	20.3
50 mm	LM	inches	1.91	1.06	.38	-	.97
		mm	49.0	26.7	24.5	-	20.5
50 mm	CBM	inches	1.91	1.06	.95	.55	.92
		mm	48.7	27.0	24.1	14.0	23.3
63 mm	LM	inches	2.43	1.10	.39	-	.97
		mm	61.6	28.0	10.0	-	24.6
63 mm	CBM	inches	2.43	1.10	1.19	.55	.92
		mm	61.6	28.0	30.3	14.0	23.3

Please call Product Marketing at (215) 355-6900 for more information

© 2002, by AMETEK, Inc. All rights reserved. 15M1102A (160126) Specifications are subject to change without notice. Visit our Web sites for the most up-to-date information.



For Gauges/Thermometers:

**U.S. GAUGE**  
 820 Pennsylvania Blvd.  
 Feasterville, PA 19053 U.S.A.  
 Tel: (215) 355-6900  
 Fax: (215) 354-1802  
 www.ametekusg.com

Customer Service Tel: (863) 534-1504  
 Customer Service Fax: (863) 533-7465

For Electronic Products:

**PMT PRODUCTS**  
 820 Pennsylvania Blvd.  
 Feasterville, PA 19053 U.S.A.  
 Tel: (215) 355-6900  
 Fax: (215) 354-1800  
 www.ametekusg.com

For Diaphragm Seals:

**M&G PRODUCTS**  
 8600 Somerset Drive  
 Largo, FL 33773 U.S.A.  
 Tel: (727) 536-7831  
 Fax: (727) 539-6882  
 www.ametek.com/tci

