

General Purpose Gauges

Model P-590K ABS Case Gauges

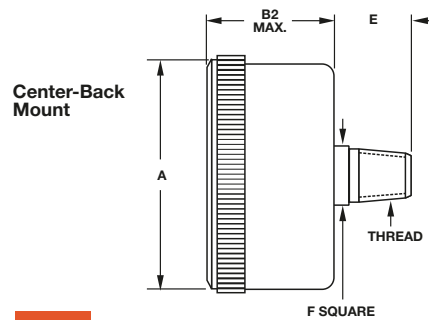
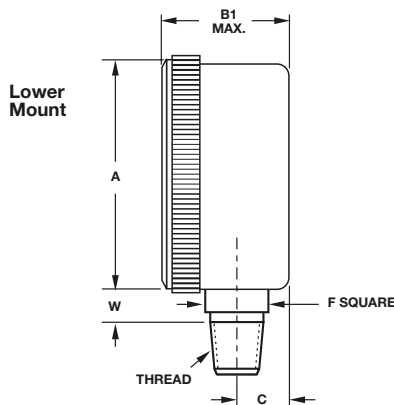
DESCRIPTION

The ABS case gauges are weather and rust resistant. The ABS case and polycarbonate window are resistant to most chemicals, allowing continuous exposure to many chemical, petrochemical, and industrial plant atmospheres. However, these gauges are suitable only for use on process media which are non-corrosive to brass, phosphor bronze, or beryllium copper.



SPECIFICATIONS

- SIZES: 1-1/2", 2"
- CASE: Gray, ABS
- WINDOW: Polycarbonate
- POINTER: Aluminum, black finish
- DIAL: Aluminum, white background with black markings
- MOVEMENT: Brass
- BOURDON TUBE: Beryllium copper 15 psi, phosphor bronze above 15 psi, soft soldered
- CONNECTION
1-1/2" or 2" 1/8-27 NPT, or 2" 1/4-18 NPT, brass
- RANGES:
1-1/2" P-590K with 1/8-27 NPT, LM or CBM-15 through 160 psi
2" P-590K with 1/4-18 NPT, LM or CBM-30 through 300 psi
- ACCURACY: $\pm 3-2-3\%$ of span (Grade B)



INCHES
(MM)

| MODEL NUMBER | DIAL SIZE | UNIT | A | B1* | B2* | C | E | F | W |
|--------------|-----------|--------|-------|-------|-------|-------|-------|-------|------|
| P-590K | 1-1/2" | inches | 1.78 | .95 | .95 | .36 | .60 | .44 | .17 |
| | | mm | 44.45 | 26.42 | 27.18 | 10.92 | 13.72 | 11.18 | 4.57 |
| P-590K | 2" | inches | 2.27 | 1.19 | 1.18 | .41 | .74 | .55 | .25 |
| | | mm | 55.63 | 28.45 | 28.45 | 12.45 | 18.03 | 14.22 | 6.60 |

* B1: LM (lower mount); B2: CBM (center-back mount)

© 2002, by AMETEK, Inc. All rights reserved. 15M1102A (160126) Specifications are subject to change without notice. Visit our Web sites for the most up-to-date information.



For Gauges/Thermometers:
U.S. GAUGE
820 Pennsylvania Blvd.
Feasterville, PA 19053 U.S.A.
Tel: (215) 355-6900
Fax: (215) 354-1802
www.ametekusg.com

Customer Service Tel: (863) 534-1504
Customer Service Fax: (863) 533-7465

For Electronic Products:
PMT PRODUCTS
820 Pennsylvania Blvd.
Feasterville, PA 19053 U.S.A.
Tel: (215) 355-6900
Fax: (215) 354-1800
www.ametekusg.com

For Diaphragm Seals:
M&G PRODUCTS
8600 Somerset Drive
Largo, FL 33773 U.S.A.
Tel: (727) 536-7831
Fax: (727) 539-6882
www.ametek.com/tci





General Purpose Gauges

Model P-590K ABS Case Gauges

SPEC NUMBER SELECTION CHART

Model P-590K

| Connection | Range* | 1-1/2" Spec No. | 2" Spec No. | Connection | Range | 2" Spec No. |
|------------|---------|--------------------|----------------|------------|---------|----------------|
| 1/8-27 LM | 15 psi | 146989 | - | 1/4-18 LM | 15 psi | - |
| | 30 psi | 146990 | - | | 30 psi | 160652 |
| | 60 psi | 146991 | - | | 60 psi | 160653 |
| | 100 psi | 146992 | - | | 100 psi | 160654 |
| | 160 psi | 146993 | - | | 160 psi | 160655 |
| | 200 psi | - | - | | 200 psi | 160656 |
| | 300 psi | - | - | | 300 psi | 160657 |
| 1/8-27 CBM | 15 psi | 146994 | - | 1/4-18 CBM | 15 psi | - |
| | 30 psi | 146995 | 160650 | | 30 psi | 160658 |
| | 60 psi | 146996 | - | | 60 psi | 160659 |
| | 100 psi | 146997 | - | | 100 psi | 160660 |
| | 160 psi | 146998 | 160651 | | 160 psi | 160661 |
| | 200 psi | - | - | | 200 psi | 160662 |
| | 300 psi | - | - | | 300 psi | 160663 |

* Dual scale dials are available, please contact Customer Service at (863) 534-1504

© 2002, by AMETEK, Inc. All rights reserved. 15M1102A (160126) Specifications are subject to change without notice. Visit our Web sites for the most up-to-date information.



For Gauges/Thermometers:

U.S. GAUGE
820 Pennsylvania Blvd.
Feasterville, PA 19053 U.S.A.
Tel: (215) 355-6900
Fax: (215) 354-1802
www.ametekusg.com

Customer Service Tel: (863) 534-1504
Customer Service Fax: (863) 533-7465

For Electronic Products:

PMT PRODUCTS
820 Pennsylvania Blvd.
Feasterville, PA 19053 U.S.A.
Tel: (215) 355-6900
Fax: (215) 354-1800
www.ametekusg.com

For Diaphragm Seals:

M&G PRODUCTS
8600 Somerset Drive
Largo, FL 33773 U.S.A.
Tel: (727) 536-7831
Fax: (727) 539-6882
www.ametek.com/tci

