

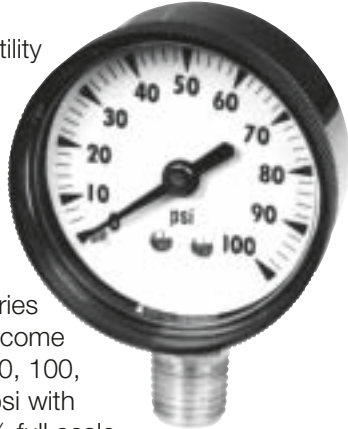


General Purpose Gauges

Series P-575 Low Cost Utility Gauges for the OEM

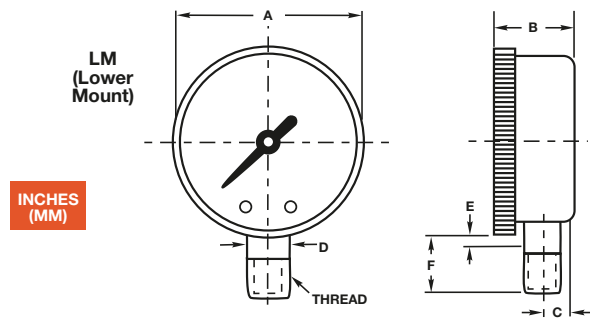
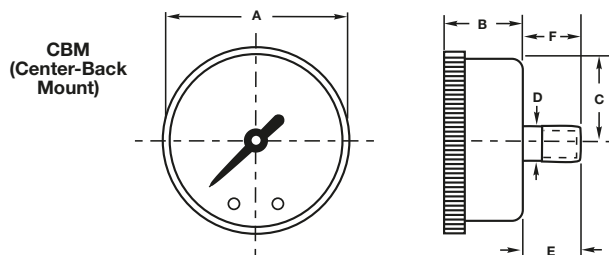
DESCRIPTION

U.S. Gauge P-575 utility gauges provide economical, reliable service in a wide range of applications including pumps, compressors, and other equipment. Series P-575 utility gauges come in ranges of: 0-30, 60, 100, 160, 200, and 300 psi with accuracy of $\pm 3-2-3\%$ full scale. Gauges are available in 1-1/2" and 2" ABS cases with 1/8-27 or 1/4-18 NPT center-back or lower mount connections (1/8 only on 1-1/2" gauges).



SPECIFICATIONS

- RANGE: 0-30, 60, 100, 160, 200, 300 psi (metric or dual scale available)
- ACCURACY: $\pm 3-2-3\%$ of span (Grade B)
- BOURDON TUBE: Phosphor bronze
- WINDOW: Polystyrene (optional polycarbonate)
- DIAL: ABS (aluminum optional)
- POINTER: Aluminum
- CASE: ABS
- CONNECTION: 1/8-27 NPT, 1/4-18 NPT, center-back or lower mount



INCHES
(MM)

DIAL SIZE	UNIT	CONNECTION	A	B	C	D	E*	F
1-1/2"	inches	LM	1.76	.95	.37	.43	.16	.52
	mm	LM	44.70	24.13	9.4	11.0	4.06	13.21
	inches	CBM	1.76	.95	.84	.43	.25	.58
	mm	CBM	44.70	24.13	21.34	11.0	6.6	14.48
2"	inches	LM	2.18	1.16	.40	.55	.13*	.86*
	mm	LM	55.37	29.72	10.16	14.0	8.64	19.81
	inches	CBM	2.18	1.16	1.02	.55	.30	.78
	mm	CBM	55.12	30.48	25.91	14.0	7.88	20.07

* The E dimension is the minimum length of the square taken from the case bottom
Please call Product Marketing at (215) 355-6900 for more information

© 2002, by AMETEK, Inc. All rights reserved. 15M1102A (160126) Specifications are subject to change without notice. Visit our Web sites for the most up-to-date information.



For Gauges/Thermometers:
U.S. GAUGE
820 Pennsylvania Blvd.
Feasterville, PA 19053 U.S.A.
Tel: (215) 355-6900
Fax: (215) 354-1802
www.ametekusg.com

Customer Service Tel: (863) 534-1504
Customer Service Fax: (863) 533-7465

For Electronic Products:
PMT PRODUCTS
820 Pennsylvania Blvd.
Feasterville, PA 19053 U.S.A.
Tel: (215) 355-6900
Fax: (215) 354-1800
www.ametekusg.com

For Diaphragm Seals:
M&G PRODUCTS
8600 Somerset Drive
Largo, FL 33773 U.S.A.
Tel: (727) 536-7831
Fax: (727) 539-6882
www.ametek.com/tci

