



## Process Gauges

# Series 1500 Corrosion Resistant Pressure Gauges

### DESCRIPTION

The Models 1530 and 1535 are feature  $\pm 1\%$  of span accuracy and utilize 300 series stainless steel case. These heavy duty 2", 2-1/2" and 3-1/2" pressure gauges are specifically designed to withstand the corrosive atmospheres, such as salt air, sour gas, and other industrial gases. These gauges are also used in specialty gauge regulators and gas cabinets, as well as many other applications. The Model 1535 features all internal wetted surfaces of 316L, making these gauges ideally suited for use with corrosive process media.



The Model P1535 is available in pressure ranges from 30" Hg VAC-0 psi to 0-3000 psi. This precision gauge incorporates rugged case construction with rear pressure relief, and a seamless Bourdon tube with welded joints for heavy duty service.

This gauge is also available in a version for the semiconductor industry. Please reference our web site at [www.ametekusg.com](http://www.ametekusg.com).

### SPECIFICATIONS

SIZE: 2", 2-1/2", and 3-1/2"

CASE: Drawn stainless steel polished with pressure relief in back of case

RING AND WINDOW: One piece, threaded polycarbonate

POINTER: Aluminum, adjustable, black finish

DIAL: Aluminum, white background with black markings; dual scale dials available in some pressure ranges

#### BOURDON TUBE

P-1530: Beryllium copper, silver brazed

P-1535: 316L seamless stainless steel

#### CONNECTION

P-1530: 1/4-18 ANPT brass

P-1535: 1/4-18 ANPT 316L stainless steel

RANGE: VAC-0-30 psi to 3000 psi

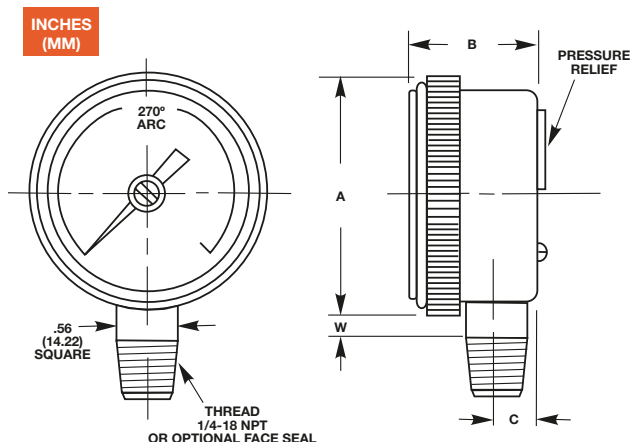
#### ACCURACY (Grade 1A):

$\pm 1\%$  of span for range to but not including 3000 psi

$\pm 2\%$  of span for ranges 3000 psi and above

SCALES: psi, bar, kg/cm<sup>2</sup>, kPa (single or dual scale)

MODEL NUMBER	DIAL SIZE	UNIT	A	B	C	W
1535	2"	inches	2.28	1.18	.41	.24
		mm	57.9	30	10.4	6.1
1530	2-1/2"	inches	2.83	1.22	.41	.23
		mm	71.9	31	10.4	5.8
1535	2-1/2"	inches	2.83	1.22	.41	.23
		mm	71.9	31	10.4	5.8
1535	3-1/2"	inches	3.88	1.17	.41	.44
		mm	98.6	29.7	10.4	11.2



© 2002, by AMETEK, Inc. All rights reserved. 15M1102A (160126) Specifications are subject to change without notice. Visit our Web sites for the most up-to-date information.

For Gauges/Thermometers:

**U.S. GAUGE**  
820 Pennsylvania Blvd.  
Feasterville, PA 19053 U.S.A.  
Tel: (215) 355-6900  
Fax: (215) 354-1802  
[www.ametekusg.com](http://www.ametekusg.com)

Customer Service Tel: (863) 534-1504  
Customer Service Fax: (863) 533-7465

For Electronic Products:

**PMT PRODUCTS**  
820 Pennsylvania Blvd.  
Feasterville, PA 19053 U.S.A.  
Tel: (215) 355-6900  
Fax: (215) 354-1800  
[www.ametekusg.com](http://www.ametekusg.com)

For Diaphragm Seals:

**M&G PRODUCTS**  
8600 Somerset Drive  
Largo, FL 33773 U.S.A.  
Tel: (727) 536-7831  
Fax: (727) 539-6882  
[www.ametek.com/tci](http://www.ametek.com/tci)

ISO 9001 REGISTERED MANUFACTURER



# Process Gauges

## Series 1500 Corrosion Resistant Pressure Gauges

### SPEC NUMBER SELECTION CHART

#### Series 1500

	Model 1530 1/4-18 ANPT Low Mount	Model 1535 1/4-18 ANPT Low Mount	Model 1535 1/4-18 ANPT Low Mount	Model 1535 1/4-18 ANPT Low Mount
<b>Bourdon Tube</b>	Beryllium Copper	316L Stainless Steel	316L Stainless Steel	316L Stainless Steel
<b>Connection</b>	Brass	316L Stainless Steel	316L Stainless Steel	316L Stainless Steel
<b>Size</b>	2-1/2"	2"	2-1/2"	3-1/2"
<b>Range</b>	<b>Spec No.</b>	<b>Spec No.</b>	<b>Spec No.</b>	<b>Spec No.</b>
30"-0-30 psi	-	148953	-	88973
30"-0-60 psi	-	149641	-	-
30"-0-150 psi	-	149642	-	-
0-15 psi	110780	148954*	110792*	-
30 psi	110781	148955	110793	88885
60 psi	110782	148956	110794	88124
100 psi	110688	148957	110690	88125
160 psi	110783	148958	110795	88886
200 psi	110784	148959	110796	88887
300 psi	110785	148960	110797	88888
400 psi	-	148961	110798	-
600 psi	110787	148962	110799	88889
1000 psi	110788	148963	110800	121617
1500 psi	-	148964	110801	-
2000 psi	-	148965	110802	89253
3000 psi	-	148966	148182	101417

\* Dial graduated on 180° arc

© 2002, by AMETEK, Inc. All rights reserved. 15M1102A (160126) Specifications are subject to change without notice. Visit our Web sites for the most up-to-date information.



*For Gauges/Thermometers:*  
**U.S. GAUGE**  
 820 Pennsylvania Blvd.  
 Feasterville, PA 19053 U.S.A.  
 Tel: (215) 355-6900  
 Fax: (215) 354-1802  
 www.ametekusg.com

Customer Service Tel: (863) 534-1504  
 Customer Service Fax: (863) 533-7465

*For Electronic Products:*  
**PMT PRODUCTS**  
 820 Pennsylvania Blvd.  
 Feasterville, PA 19053 U.S.A.  
 Tel: (215) 355-6900  
 Fax: (215) 354-1800  
 www.ametekusg.com

*For Diaphragm Seals:*  
**M&G PRODUCTS**  
 8600 Somerset Drive  
 Largo, FL 33773 U.S.A.  
 Tel: (727) 536-7831  
 Fax: (727) 539-6882  
 www.ametek.com/tci

